

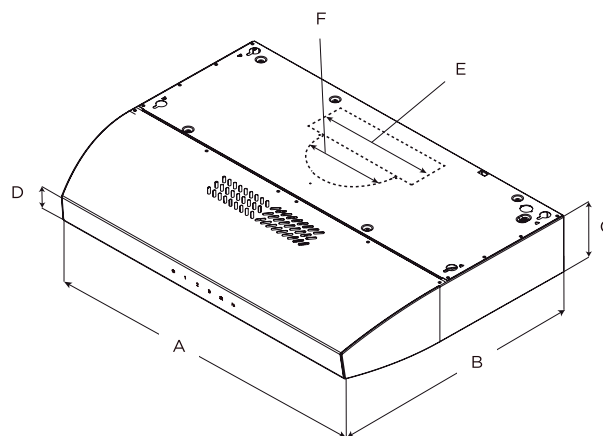


- CFM  
REDUCTION
- DIM LIGHT
- LED LIGHT
- SEMI BAFFLE  
FILTER
- TOUCH  
CONTROL

ELICA'S EXCLUSIVE  
PLUS FEATURES

With a compact 4 ¾" height, Aria is an ideal choice where under-cabinet space is limited. Its upgraded 400 CFM internal blower provides sufficient ventilating power for most kitchens. Aria also offers the luxury and convenience of LED dimmable lighting with 2 Baffle Slot filters and glass touch controls.

Available in 30" or 36" width, Aria is designed for standard ducted installation and can also be used as a recirculating system using the kit available as an accessory.



- ≥24"
- ≥30"

MOUNTING  
HEIGHT  
RANGE

	Models	
	EAI430SS	EAI436SS
<b>A</b>	30" (76.2 cm)	36" (91.4 cm)
<b>B</b>	20" (50.8 cm)	
<b>C</b>	4 7/10" (12 cm)	
<b>D</b>	2 2/5" (5.2 cm)	
<b>E</b>	3 1/4" x 10" (8.3 cm x 25.4 cm)	
<b>F</b>	7" (17.8 cm)	

SPECIFICATIONS

Width:	30" UNIT	36" UNIT
Model:	EAI430SS	EAI436SS
Dimensions:	30" W x 20" D x 4 7/10" H	36" W x 20" D x 4 7/10" H
Blower Type(internal):**	400 CFM, (3-Speed Internal + boost)	
Noise (sones):**	6.1 Sones	
Finish:	Stainless Steel with Black Tempered Glass	
Controls:	Capacitive Touch (Glass)	
Illumination:	2 Premium Dimmable Led lights, 2.1 W, 4000 K	
Grease Filter:	2 Dishwasher-Safe, Stainless Steel Baffle Slot Filters	
Duct Transition:	3 1/4 x 10" (Top or Rear), or 7" round (sold separatley)	
Installation Type:	Ducted or Recirculating Installation (Recirculating Kit Sold Separately)	
Electrical:	120V – 60 Hz, 333 W	
KITS:		
Recirculating Kit:	KIT02178 (contains 2 flat carbon filters & clips)	KIT02179 (contains 2 flat carbon filters & clips)
Backdraft Damper:	KIT02723 (7" Round)	
WARRANTY:***	Two (2) Years Parts & In-Home Labor. Earn an additional One (1) Year of Parts & In-Home Labor by registering on elica.com.	

PLUS FEATURES



**CFM REDUCTION** - CFM Reduction System (CRS), is an exclusive feature to Elica hoods, which enables the user to reduce the maximum blower CFM, to meet local code requirements.



**DIM-LIGHT** - The Dimmer allows you to adjust the brightness of the light as you wish. With Elica, lighting is customized in a discreet, personal and practical way, in order to contribute in creating the perfect kitchen atmosphere.



**LED LIGHT** - LED lighting is undoubtedly the smartest solution in terms of energy saving. Expected life is over 20,000 hours, and should last the full life of the hood.



**ELECTRONIC TOUCH CONTROLS** - Enjoy the modern design and convenience of multi-function electronic touch controls, which are discreetly hidden behind sleek black glass, and will illuminate a soft blue when activated.



**STAINLESS STEEL BAFFLE SLOT FILTERS** - A baffle shaped stainless steel filter with mesh backing allows air to pass but blocks grease, which drops into the high capacity baffle cavities. The design delivers large volume capacity, excellent capture efficiency at ALL blower speeds, silent operation, plus, durability that will last the life of the hood.



Certified Ratings	High Speed	Working Speed	Duct Size
CFM Sones	250 6	130 1.5	3.25 x 10" (Vertical)
CFM Sones	260 6	130 1.5	3.25 x 10" (Horizontal)
CFM Sones	280 5.5	150 1.2	7" vertical

\* The product images shown are for illustration purposes only and may not be an exact representation of the product.

\*\* Blower performance indicates the performance of the blower by itself. Performance claims are not AHAM certified but were established in accordance with HVI Standardized test procedure. For Certified Ratings, please refer to AHAM Certified Product Directory. Electric Ratings are declared according to UL.

\*\*\* For valid warranty extension, register within 3 months from purchase. For USA & Canada Users Only.