

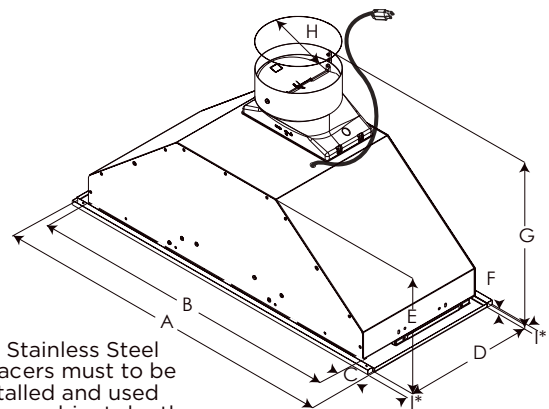


ELICA'S EXCLUSIVE PLUS FEATURES

Asti is designed for discreet mounting inside cabinetry, fits perfectly into 12" deep cabinetry and is ideal for kitchens where space is limited or the range hood needs to be out of sight.

Asti comes equipped with a powerful 400 CFM blower that can handle most cooking needs.

Convenient Backlit Electronic Push Button Controls operate the 3 speed blower and LED lighting, while dishwasher safe anodized aluminum mesh filters offer easy maintenance. Asti is designed for standard ducted or recirculating installation.



I* - Stainless Steel Spacers must to be installed and used when cabinet depth is greater than 12".



MOUNTING HEIGHT RANGE

	EAS422SS	EAS428S1
A	22 1/4 (57.1 cm)	28 1/4 (71.8 cm)
B	19 1/16" (50 cm)	26" (66 cm)
C	1 9/64" (2.9 cm)	
D	10 11/16" (27.2 cm)	
E	9 17/32" (24.2 cm)	
F	5/16" (.85 cm)	
G	14 9/16" (37 cm)	
H	6" (15.2 cm)	
I*	1/2" (1.34 cm)	

Width:	22" Unit	28" Unit
Model:	EAS422SS	EAS428S1
Dimensions:	22 1/2 "W x 10 3/4"D x 14 9/16"H	28 1/4 "W x 10 3/4 "D x 14 9/16"H
Blower Type(internal):**	400 CFM (3 -speed)	
Sones (Free outlet):**	5.9 Sones	
Finish:	Stainless Steel	
Controls:	Backlit Electronic Push Buttons	
Illumination:	2 LED, 2.1 W, 4000 K	
Grease Filter:	2 Dishwasher-Safe, Anodized Aluminum Mesh Filter	
Duct Transition:	6" Round with Back Draft Damper (top only)	
Installation Type:	Ducted or Recirculating (Kit sold separately)	
Electrical:	120 V - 60 Hz, 289 W	
KITS:		
Recirculating Kit:	KIT02770 (Contains 2 carbon filters)	
CFM Reduction:	KIT0175561 (Achieves 280 CFM)	
30" Hood Liner (29" W x 17 1/2" - 20 1/2" D)		KIT02773
36" Hood Liner (35" W x 17 1/2" - 20 1/2" D)		KIT02774
WARRANTY:***	Two (2) Years Parts & In-Home Labor. Earn an additional One (1) Year of Parts & In-Home Labor by registering on elica.com.	

PLUS FEATURES



3X LAYER GREASE FILTER - Elica aluminum mesh filters are a step above competition, featuring triple layered, anodized aluminum that is woven into a highly dense mesh. The thick mesh captures more grease, anodization helps resist staining and provides durability to repeated cleanings in the dishwasher.



LED LIGHT - LED lighting is undoubtedly the smartest solution in terms of energy saving. Expected life is over 20,000 hours, and should last the full life of the hood.



Certified Ratings	High Speed	Working Speed	Duct Size
CFM	350	100	6" (Vertical)
Sones	8	0.5	6" (Vertical)

* The product images shown are for illustration purposes only and may not be an exact representation of the product.

** Blower performance indicates the performance of the blower by itself. Performance claims are not AHAM certified but were established in accordance with HVI Standardized test procedure. For Certified Ratings, please refer to AHAM Certified Product Directory. Electric Ratings are declared according to UL.

*** For valid warranty extension, register within 3 months from purchase. For USA & Canada Users Only.