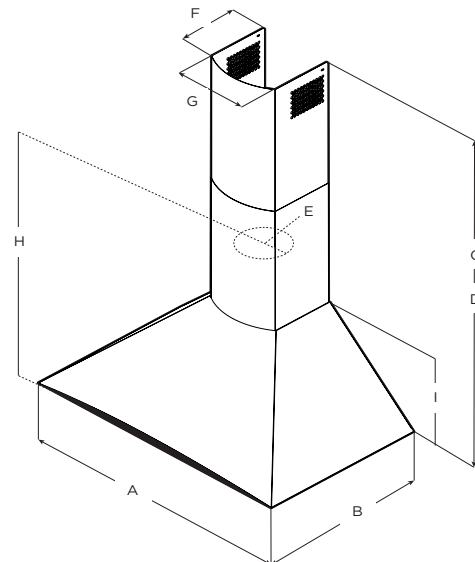




Black panel and polished stainless steel, Foglia features a gently arched front that softens the units profile and provides an angled panel for easy access to the controls.

Available in 30" & 36" widths, Foglia includes a powerful 600 CFM blower, LED lighting with dimmable feature, stainless steel microhole filters and capacitive touch controls that deliver convenience and safety.

Designed for standard ducted installation, Foglia can also be installed as a recirculating system using the Recirculating Kit, available as an accessory.



	<b>EFG630S1</b>	<b>EFG636S1</b>
A	30" (76.2 cm)	36" (91.2 cm)
B	19 <sup>3</sup> / <sub>16</sub> " (50 cm)	
C*	Max: 42 <sup>1</sup> / <sub>2</sub> " (107 cm) Min: 28 <sup>3</sup> / <sub>8</sub> "** (73 cm)	
D**	Max: 38 <sup>3</sup> / <sub>16</sub> " (97 cm) Min: 28 <sup>3</sup> / <sub>8</sub> " (73 cm)	
E	6" (15.24 cm)	
F	8" (20.5 cm)	
G	8 <sup>3</sup> / <sub>16</sub> " (21.5 cm)	
H	14 <sup>13</sup> / <sub>16</sub> " (37.6 cm)	
I	10 <sup>3</sup> / <sub>16</sub> " (25.9 cm)	

\* Ductless (Recirculating) version  
\*\* Ducted version



## SPECIFICATIONS

Width:	30" UNIT	36" UNIT
Model:	EFG630S1	EFG636S1
Dimensions:	30"W x 19 11/16"D x Min: 28 6/16 Max: 42 1/8 "H	36"W x 19 11/16"D x Min: 28 6/16 Max: 42 1/8 "H
Blower Type(internal):**	600 CFM, (3-Speed Internal + Boost)	
Noise (sones):**	6.8 Sones	
Finish:	Stainless Steel + Black Glass	
Controls:	Capacitive Touch (Glass)	
Illumination:	2 Premium Dimmable LED lights, 2.1 W, 4000 K	
Grease Filter:	Dishwasher-Safe, Stainless Steel Microhole Filter	
Duct Transition:	Round 6" Top Discharge	
Installation Type:	Ducted or Recirculating (Kit sold separately)	
Telescopic Chimney:	Can reach ceiling heights of min 7'5", max 9'2" (ducted out) & min 7'5", max 9'6" (recirculating).	
Electrical:	120V-60Hz, 455 W	
KITS:		
Recirculating Kit:	KIT02766 (Contains 6" Deflector and 2 Round Carbon Filters)	
Long Chimney Extension:	KIT02784 (Can reach 8'5" - 11'3"(ducted), 8'7" - 11'7"(recirculating))	
WARRANTY:***	Two (2) Years Parts & In-Home Labor. Earn an additional One (1) Year of Parts & In-Home Labor by registering on elica.com.	

## PLUS FEATURES

- 

**TOP PERFORMANCE** - Excellent performance for models equipped with this plus. High fume capturing capacity with an average aspiration range of 600 CFM's. with low noise levels, 1.2 - 1.7 sones at working speed.
- 

**HUSH SYSTEM** - An exclusive sound deadening technology that effectively reduces sound levels up to 35%, compared to typical range hoods.
- 

**CFM REDUCTION** - CFM Reduction System (CRS), is an exclusive feature to Elica hoods, which enables the user to reduce the maximum blower CFM, to meet local code requirements.
- 

**DIM-LIGHT** - The Dimmer allows you to adjust the brightness of the light as you wish. With Elica, lighting is customized in a discreet, personal and practical way, in order to contribute in creating the perfect kitchen atmosphere.
- 

**LED LIGHT** - LED lighting is undoubtedly the smartest solution in terms of energy saving. Expected life is over 20,000 hours, and should last the full life of the hood.
- 

**ELECTRONIC TOUCH CONTROLS** - Enjoy the modern design and convenience of multi-function electronic touch controls, which are discreetly hidden behind sleek black glass, and will illuminate a soft blue when activated.



Certified Ratings	High Speed	Working Speed	Duct Size
CFM	390	170	6" (Vertical)
Sones	7.5	1.5	6" (Vertical)

\* The product images shown are for illustration purposes only and may not be an exact representation of the product.

\*\* Blower performance indicates the performance of the blower by itself. Performance claims are not AHAM certified but were established in accordance with HVI Standardized test procedure. For Certified Ratings, please refer to AHAM Certified Product Directory. Electric Ratings are declared according to UL.

\*\*\* For valid warranty extension, register within 3 months from purchase. For USA & Canada Users Only.