

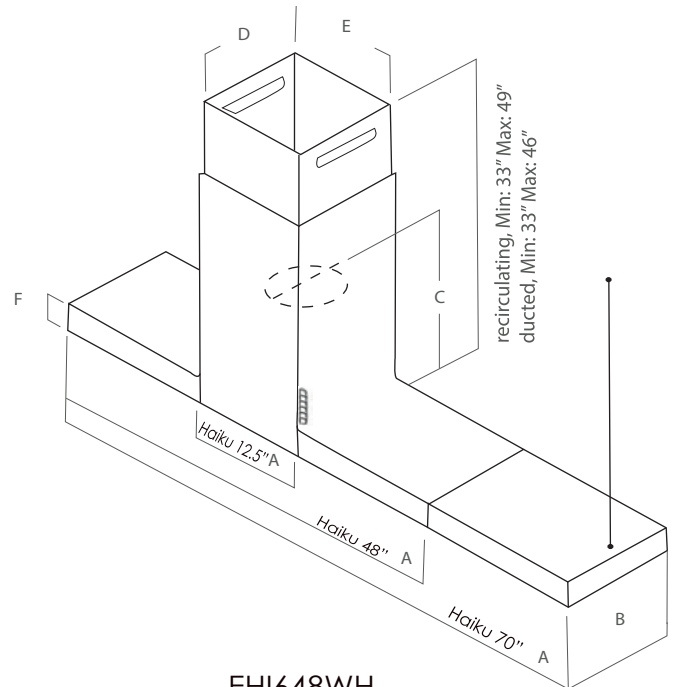
ICONIC SERIES  
**HAIKU ISLAND**



-   
 UNIQUE MATERIALS
-   
 LONG LIFE FILTER
-   
 TOTAL INTEGRATION
-   
 DEEP SILENCE

ELICA'S EXCLUSIVE PLUS FEATURES

Shapes, materials and solutions. At Elica, our strong belief in research means that even the choice of materials becomes an essential element in the innovation process. With 3D Aluminum grids with cast iron effect, the grids are kept attached to the casting by means of magnets mounted on the hood. Therefore, the locking system prevents any accidental fall. Available in different sizes and different materials: full stainless steel, extra clear tempered glass with black screen printed and White Intense Krypton.



	EHI613SS	EHI648WH EHI648BL EHI648SS	EHI670SS
A	13"	48"	70
B		13"	
C		19"	
D		11 13/20"	
E		12 "	
F		3 7/50"	

ICONIC SERIES  
**HAIKU ISLAND**



SPECIFICATIONS

	13"	48"	70"
Model:	EHI613SS	EHI648SS EHI648BL EHI648WH	EHI670SS
Dimensions:	13 W" x 13 D x Min: 33" Max: 49" H	48 W" x 13 D x Min: 33" Max: 49" H	70 W" x 13 D x Min: 33" Max: 49" H
Blower type (internal):** Noise (sones):**	600 CFM (3 speed + boost) 6.8 Sones		
Finish:	Stainless Steel	Stainless Steel, Black Glass, White Kion®	Stainless Steel
Controls: Illumination: Grease Filter: Duct transition: Installation type: Electrical: Telescopic Chimney:	Sensitive Touch control with back light Strip LED light, 7 W 3500 K Sophisticated black iron grates + 6 layer mesh filter Round 6" Top Discharge Ducted or recirculating (Kit sold separately) 120 V - 60 Hz, 460 W Reaches ceiling heights 7'3" - 9'10" (ducted), 7'3" - 10'1" (recirculating) adjustable Depth (12.5" - 15")		
KITS: Recirculating Kit:	CFC0141725AUL		
WARRANTY:****	Two (2) Years Parts & In-Home Labor. Earn an additional One (1) Year of Parts & In-Home Labor by registering on elica.com.		

PLUS FEATURES

- UNIQUE MATERIALS** - Products designed in unique materials and finishes with great aesthetic impact but also with practical and durable characteristics, perfect for use in the kitchen.
- TOTAL INTEGRATION** - These products have been designed to be seamlessly integrated into the kitchen whilst maintaining harmony with the surroundings.
- LONG LIFE FILTER** - One of a kind odour filter, capable of regenerating itself and of lasting up to 3 years. To maintain these characteristics, the filter only requires simple maintenance: wash every 2 or 3 months with hot water and mild soap (also in dishwasher at 65 degrees) and dry in the oven for ten minutes at 100 degrees.
- DEEP SILENCE** - Haiku is equipped with Deep Silence noise abatement system that allows you to achieve high silence at all speeds thanks to the elimination of vortices and noise peaks.



Certified Ratings	High Speed	Working Speed	Duct Size
CFM	460	200	6" (vertical)
Sones	8	2	6" (vertical)

\* The product images shown are for illustration purposes only and may not be an exact representation of the product.  
 \*\* Blower performance indicates the performance of the blower by itself. Performance claims are not AHAM certified but were established in accordance with HVI Standardized test procedure. For Certified Ratings, please refer to AHAM Certified Product Directory. Electric Ratings are declared according to UL  
 \*\*\* Front Black Glass / Sides Matte Black Stainless steel  
 \*\*\*\* For valid warranty extension, register within 3 months from purchase. For USA & Canada Users Only.