



HEAT GUARD



HUSH SYSTEM



SEAMLESS LOOK



GREASE COLLECTORS

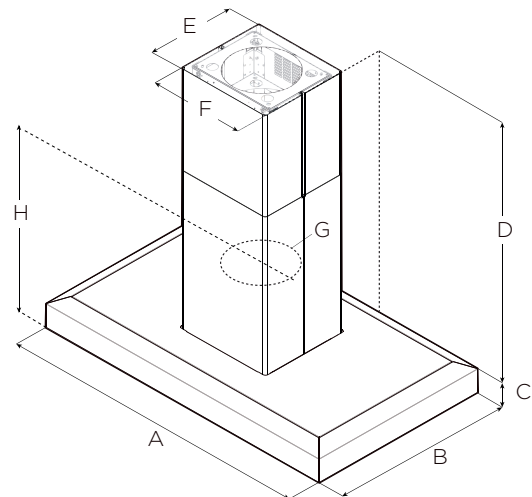


PROFESSIONAL PERFORMANCE

ELICA'S EXCLUSIVE PLUS FEATURES

Designed to be suspended above a kitchen island, Vavano's crisp lines, beveled rim and gleaming stainless steel deliver professional cooking with a sense of style. Give your kitchen a splash of Italian design with a box style island hood that has the extra depth and power required to support professional ranges and cooktops.

Available in 42" and 48" widths, Vavano Island comes equipped with a powerful 600 CFM internal blower and backlit hidden metallic in/out knobs, which operate the 4 speed blower and LED lighting.





	EVI642S1	EVI648S1
A	42" (1067 cm)	48" (122 cm)
B	24 3/8" (62 cm)	
C	5 1/32" (12.8 cm)	
D	Max: 51" (129.4 cm) Min: 30" (76 cm)	
E	12" (30.5 cm)	
F	13" (33.2 cm)	
G	8" (20.3 cm)	
H	20 1/2" (52 cm)	


SPECIFICATIONS


Width:	42" Unit	48" Unit
Model:	EVI642S1	EVI648S1
Dimensions:	42"W x 24"D x Min 30" Max 51" H	48"W x 24"D x Min 30" Max 51" H
Blower Type(internal):**	600 CFM (4 -speed)	
Noise (sones):**	7 Sones	
Finish:	Stainless Steel	
Controls:	Fully Retractable Rotating Knobs with Blue Backlighting	
Illumination:	4 LED Lights, 6.5 W, 3000 K, 540 Lumen/lamp	
Grease Filter:	(3) Dishwasher-Safe, Professional Stainless Steel Baffle Filter	
Duct Transition:	8" Round with Back Draft Damper (top only)	
Installation Type:	Ducted Installation Only	
Telescopic Chimney:	Can reach ceiling heights 7'6" - 10'1" (over electric cooking), 8'0" - 10'1" (over gas cooking)	
Electrical:	120V - 60 Hz, 480 W	
KITS:		
Long Chimney Extension Kit 12":	KIT0145610 (Can reach up to 13'0")	
1200 CFM Inline Blower Kit:	KIT0154387	
1200 CFM External Blower Kit:	KIT0153054	
Electronic CFM Reduction Bypass Kit:	KIT0185752	
6" Round Transition Kit:	BH01UB (Replaces 8" transition - for 600 CFM blower only)	
WARRANTY:***	Two (2) Years Parts & In-Home Labor. Earn an additional One (1) Year of Parts & In-Home Labor by registering on elica.com.	


PLUS FEATURES

- 

HUSH SYSTEM - An exclusive sound deadening technology that effectively reduces sound levels by over 35%.
- 

PROFESSIONAL PERFORMANCE - Special features and high performances for models with aspiration capacity between 600 and 1200 CFM's.
- 

SEAMLESS CRAFTSMANSHIP - Heavy gauge stainless steel "Seamless" construction that delivers refined elegance.
- 

STAINLESS STEEL BAFFLE FILTERS WITH GREASE COLLECTORS - Designed for high airflow cooking, the "S" shape design traps high volumes of grease.
- 

HEAT GUARD - Senses extreme temperatures (>158 °F) and automatically adjusts the blower speed to HIGH.



Certified Ratings	High Speed	Working Speed	Duct Size
CFM	390	160	8" Vertical
Sones	8	2	

* The product images shown are for illustration purposes only and may not be an exact representation of the product.

** Blower performance indicates the performance of the blower by itself. Performance claims are not AHAM certified but were established in accordance with HVI Standardized test procedure. For Certified Ratings, please refer to AHAM Certified Product Directory. Electric Ratings are declared according to UL.

*** For valid warranty extension, register within 3 months from purchase. For USA & Canada Users Only.